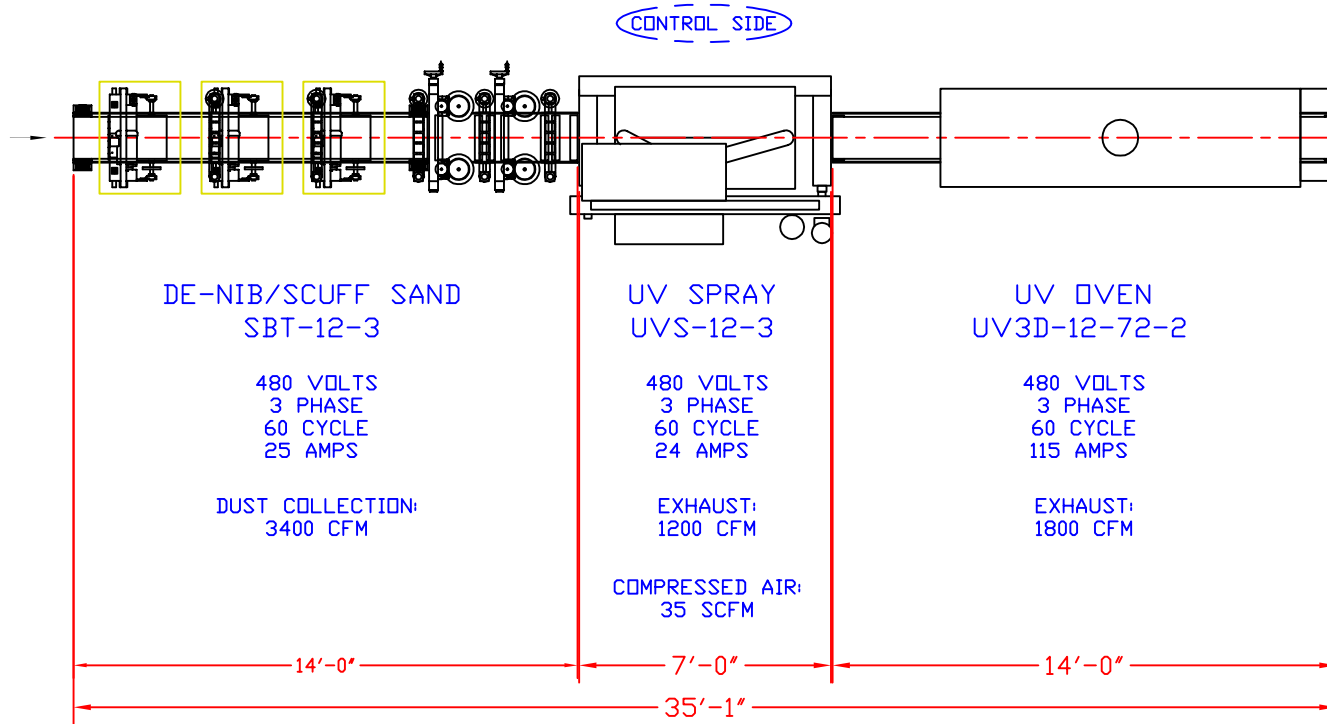


DATE	SYM	REVISION RECORD	INITIALS

**NOTES:**

LEFT HAND MACHINES SHOWN  
 NOMINAL LINE SPEED 100 FPM  
 MAX PART WIDTH: 12"  
 MIN PART LENGTH: 22"



**DUBOIS MACHINE CO.** JASPER, IN. 47546

SCALE  
3/16"=1'-0"

DRAWN BY: BWH

TITLE 12" UV SPRAY LINE W/ DE-NIB

DATE 07/07/07

DWG. NO. A-8392

**Dubois**

THIS DRAWING IS THE EXCLUSIVE PROPERTY OF DUBOIS MACHINE CO. INC., AND MAY NOT BE COPIED OR REPRODUCED IN ANY FORM WITHOUT APPROVAL.