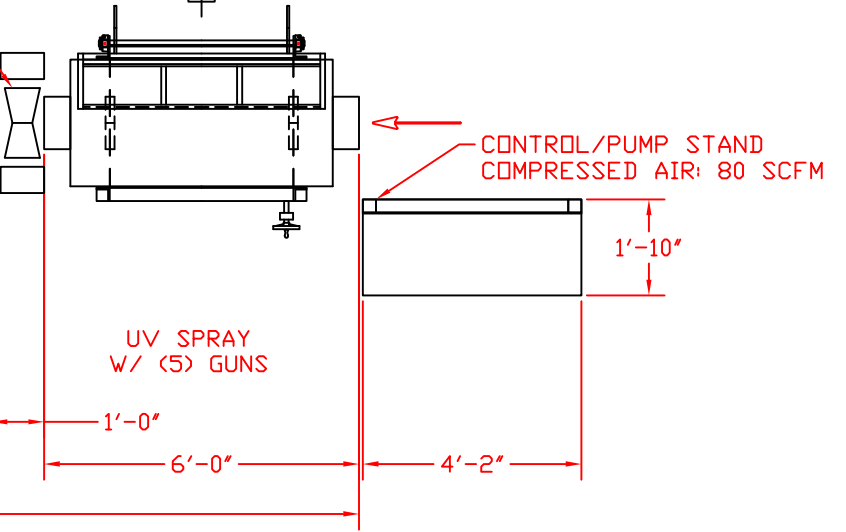
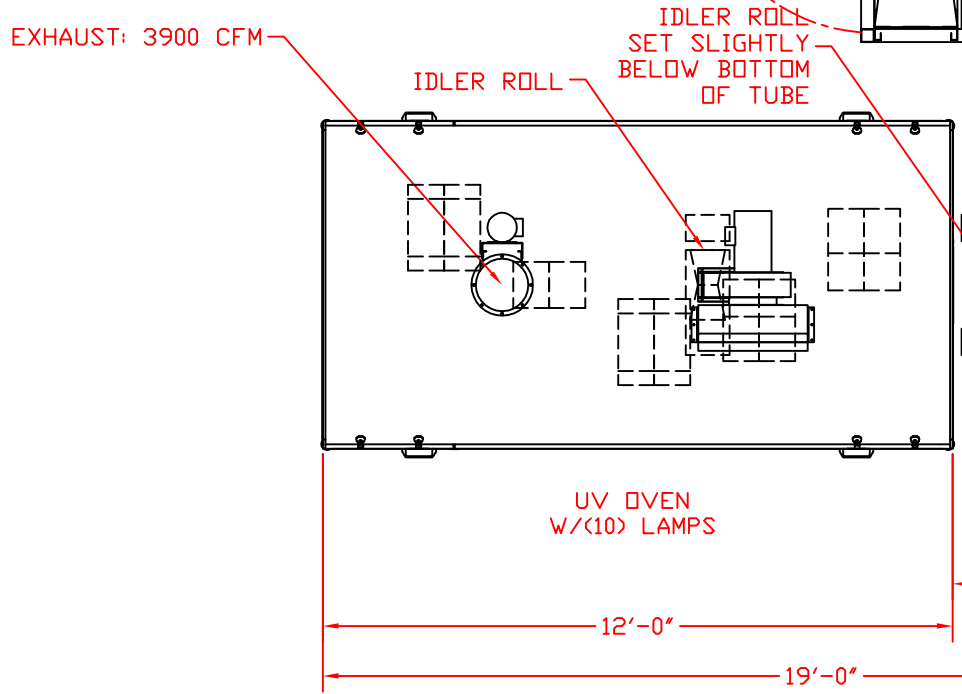
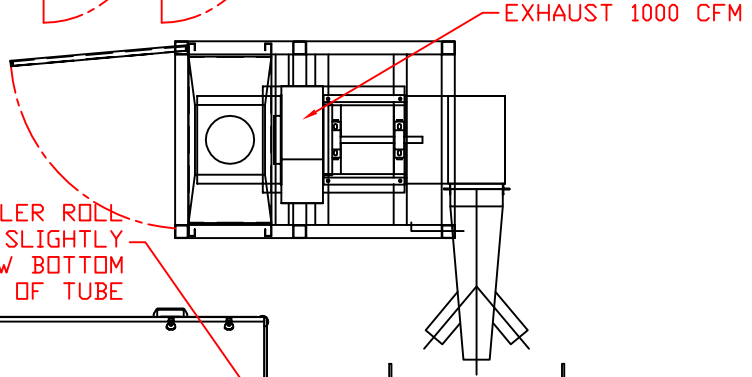
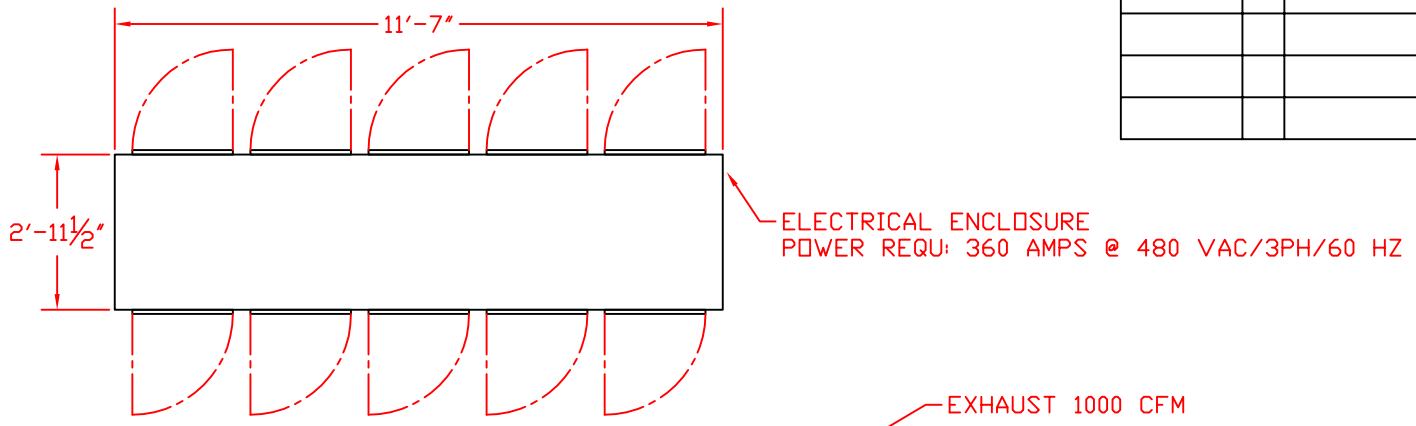


DATE	SYM	REVISION RECORD	INITIALS



DUBOIS MACHINE CO.		JASPER, IN. 47546
SCALE 1/4"=1'-0"	DRAWN BY: BWH	
TITLE	PIPE SPRAY & CURE SYSTEM	
DATE 06/16/08	DWG. NO.	A-8864

Dubois

THIS DRAWING IS THE EXCLUSIVE PROPERTY OF DUBOIS MACHINE CO. INC., AND MAY NOT BE COPIED OR REPRODUCED IN ANY FORM WITHOUT APPROVAL.