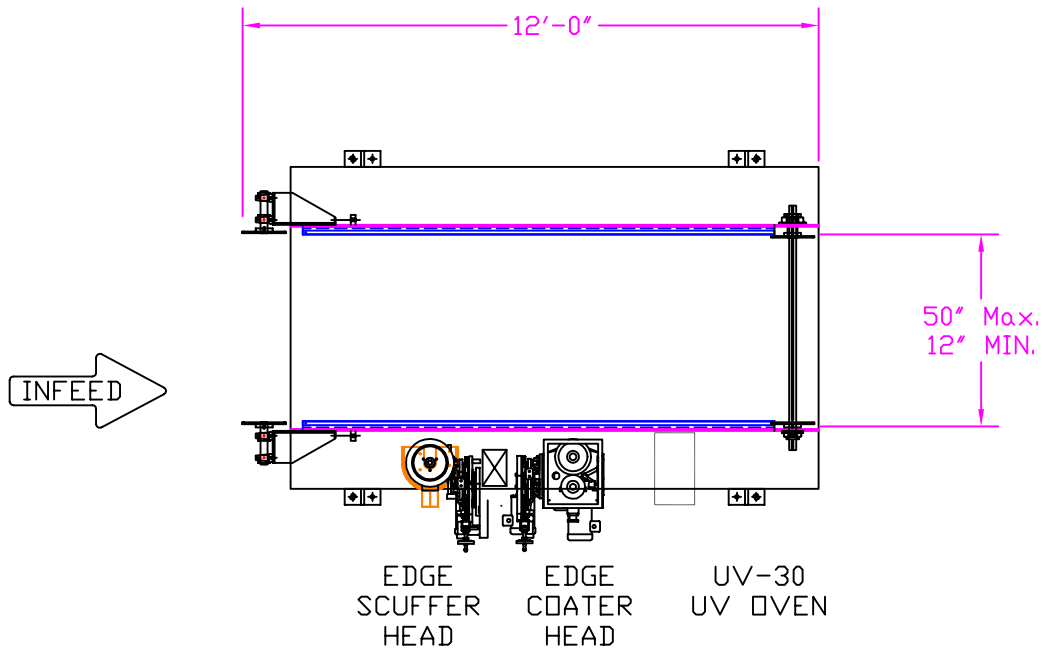


DATE	SYM	REVISION RECORD	INITIALS



DUBOIS MACHINE CO. JASPER, IN. 47546	
SCALE 1/4"=1'-0"	DRAWN BY: BWH
TITLE EDGE FINISHING LAYOUT	
DATE 6/23/08	DWG. NO. A-8876

Dubois

THIS DRAWING IS THE EXCLUSIVE PROPERTY OF DUBOIS MACHINE CO. INC., AND MAY NOT BE COPIED OR REPRODUCED IN ANY FORM WITHOUT APPROVAL.